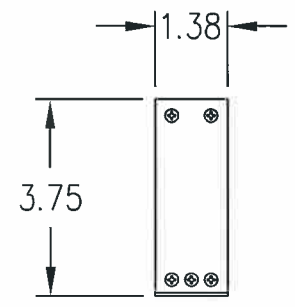
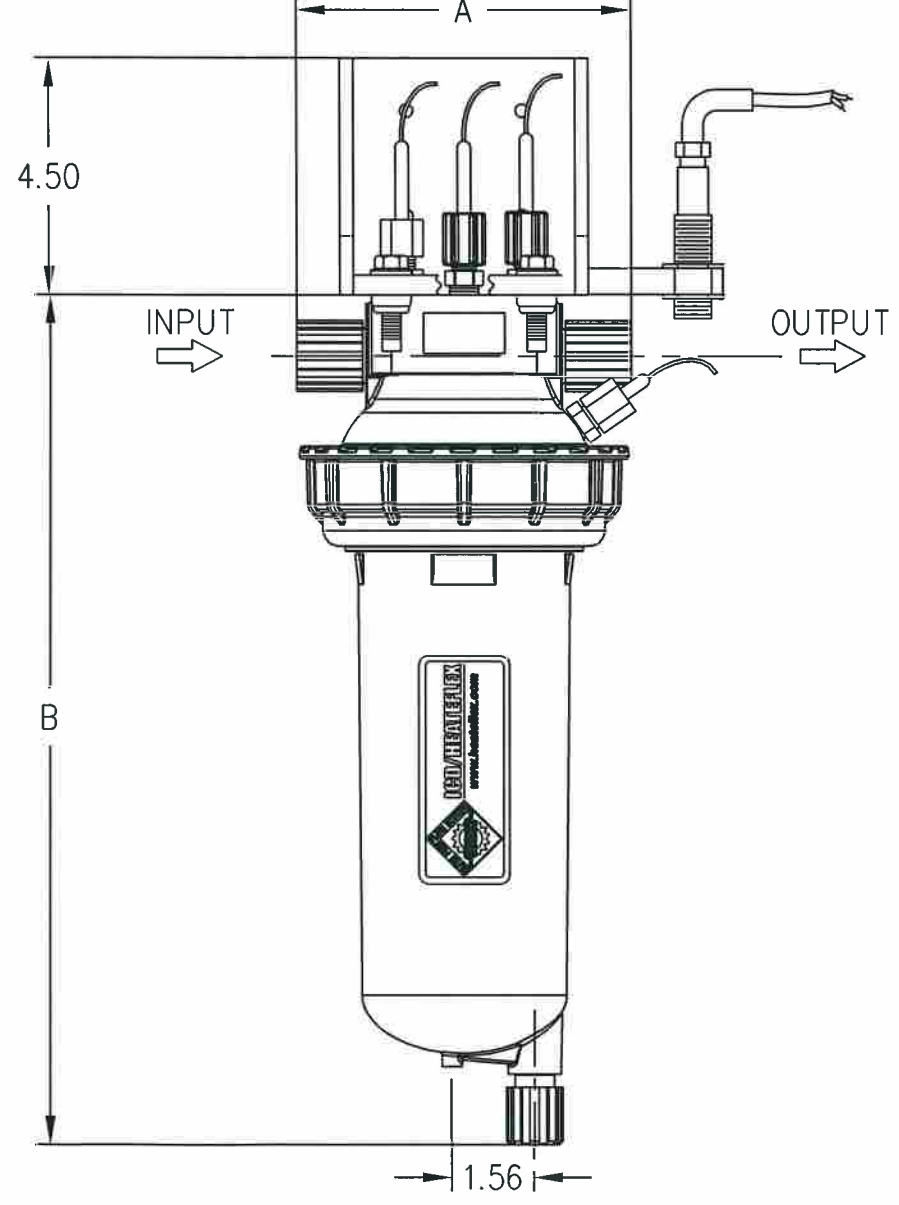
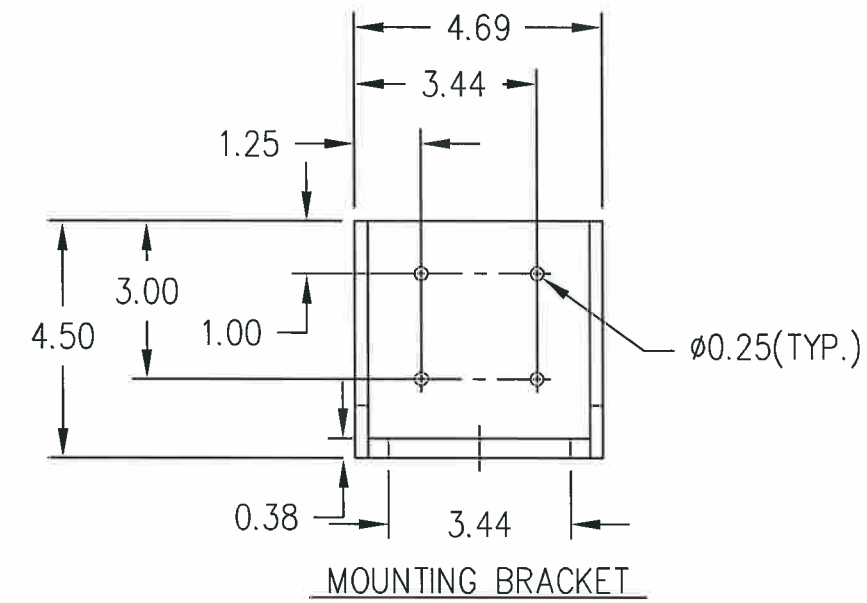
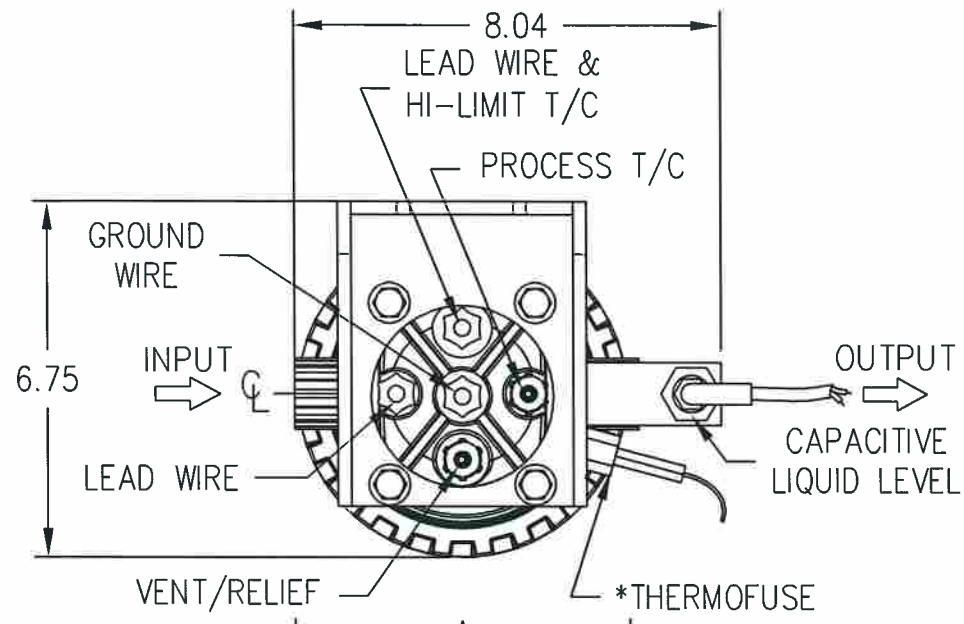
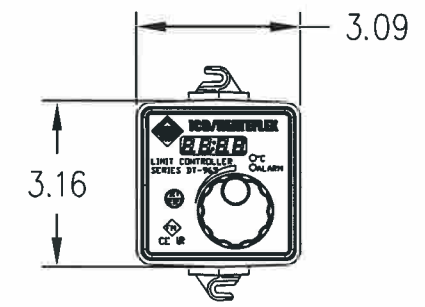


CHEMLOCK 10"		CHEMLOCK 20"	
DIM. A	DIM. B	DIM. A	DIM. B
6.2"	15.99"	6.2"	25.69"



L/L CONTROLLER  
24VAC  
P/N: 307506



HI-LIMIT CONTROLLER  
24VAC  
P/N: 306023

ENGINEERING SPECIFICATIONS

MATERIAL	
HEATER MODULE:	PFA
HEATER ELEMENT:	PFA JACKET
CONNECTORS:	PFA
PLUMBING	
INPUT/OUTPUT:	3/4" FLRTK.
DRAIN:	1/2" FLRTK.
VENT/RELIEF:	1/4" FLRTK.
LIQUID LEVEL:	CAPACITIVE, PNP/NPN, PFA
OPERATION CONDITIONS	
PRESSURE RATING:	60PSI @ 95°C. MAX
HI-LIMIT T/C:	TYPE "J", 12ft. PFA ENCAPSULATED
PROCESS T/C:	TYPE "J", 12ft. PFA ENCAPSULATED
GROUND WIRE:	TANTALUM, 10ft. GREEN & YELLOW STRIPE PFA ENCAPSULATED
LEAD WIRE:	BLACK, 10ft.

\* OPTIONAL

REV	DATE	DESCRIPTION	M.T.
01	02/21/06	UPDATED CAPACITIVE LIQUID LEVEL SENSOR	DRFTR

<p><b>CONFIDENTIALITY</b> THIS DRAWING &amp; THE INFORMATION CONTAINED THEREIN IS CONFIDENTIAL &amp; PROPRIETARY TO INTEGRATED CIRCUIT DEVELOPMENT CORPORATION &amp; MAY NOT BE TRACED, PHOTOGRAPHED, REPRODUCED IN ANY MANNER, NOR USED FOR ANY PURPOSE WHATSOEVER WITHOUT THE EXPRESS WRITTEN AUTHORIZATION OF INTEGRATED CIRCUIT DEVELOPMENT CORPORATION.</p>		<p><b>UNLESS OTHERWISE NOTED</b> DIMENSIONS &amp; TOLERANCING ARE IN INCHES(Millimeters) &amp; PER ANSI-Y14.5 &amp; HEATEFLEX CORP. DRAFTING STANDARDS.</p> <p>DECIMALS: in mm .XX ± 0.01 ± 0.25 .XXX ± 0.005 ± 0.127 .XXXX ± 0.0005 ± 0.0127 X/XX ± 1/32 ∠ ± 0.5°</p>	
<p>DRAWN BY: M. Martinez DATE: 11/14/03</p>		<p>ENG/DSGN: [Signature] DATE: 2-22-06</p>	
<p>DRAFTING QC: [Signature]</p>		<p>DWG. NO.: LHMN-1PH-C-SERIES REV. 01</p>	
<p>SHEET: 1 OF 1</p>		<p>SCALE: NONE FILE: LHMN1PHCSERIES-R01</p>	



TITLE:  
IN-LINE HEATER ASSY., 1-PH  
CHEMLOCK SERIES