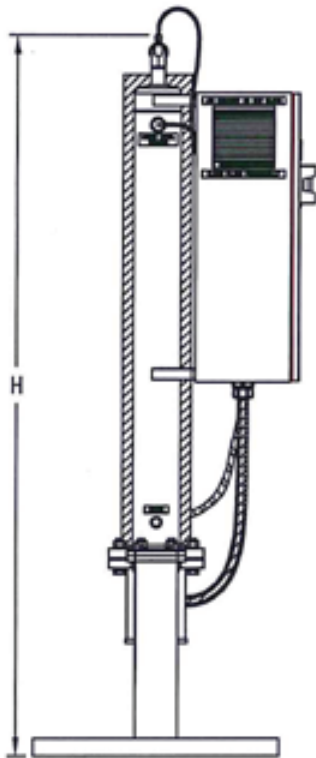
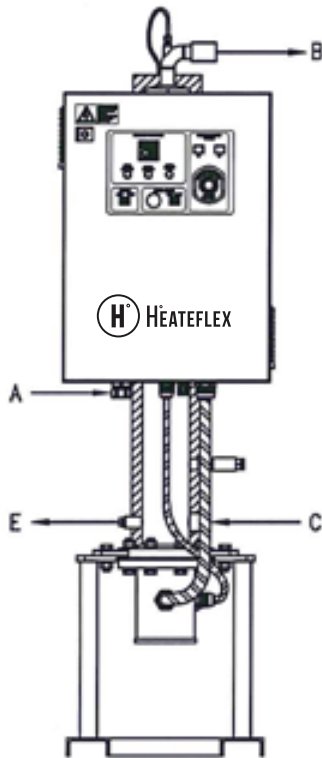


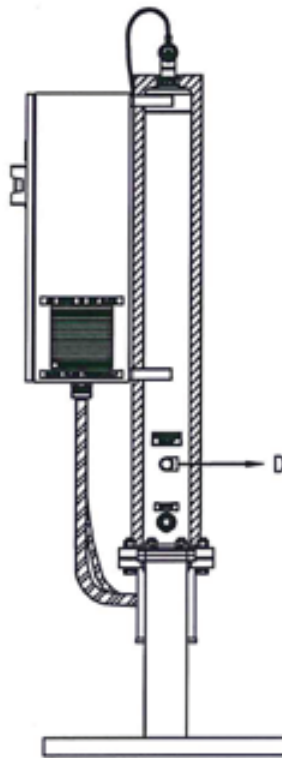
TOP VIEW



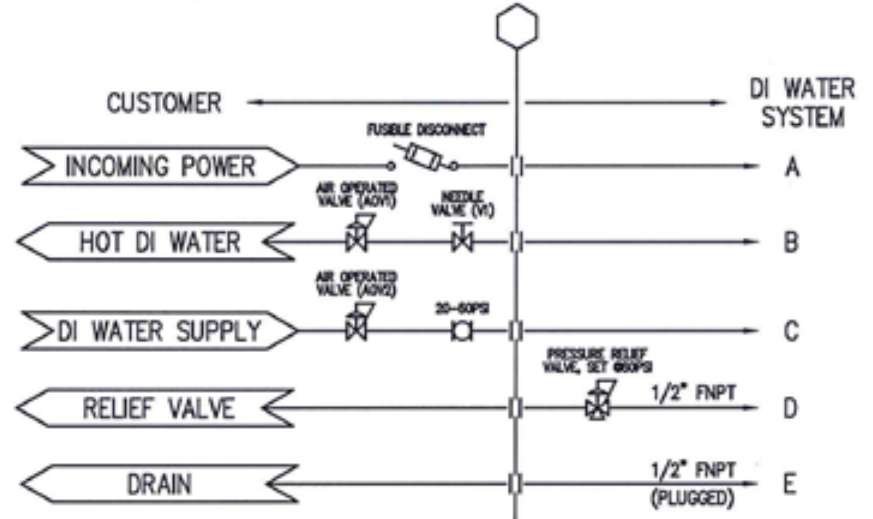
LEFT VIEW



FRONT VIEW



RIGHT VIEW



MODEL	KW	DIMENSIONS W x D x H (in)	IN/OUT (in) FNPT	OPERATING VOLTAGE (3 PHASE)		
				208 (AMPS/PH)	240 (AMPS/PH)	480 (AMPS/PH)
SX 12	12	24 x 24 x 70	1	---	28.9	14.5
SX 13.5	13.5	24 x 24 x 70	1	37.5	---	---
SX 18	18	24 x 24 x 70	1	50.0	43.4	21.7
SX 24	24	24 x 24 x 70	1	66.7	57.8	28.9
SX 36	36	24 x 24 x 70	1	---	86.7	43.4
SX 36	36	24 x 25 x 70	1.5	100.0	---	---
SX 48	48	24 x 25 x 70	1.5	133.4	115.6	57.8
SX 60	60	24 x 25 x 70	1.5	---	144.5	72.3
SX 72	72	24 x 25 x 70	1.5	---	173.4	86.7
SX 100	100	24 x 25 x 82.5	1.5	---	---	120.4
SX 120	120	24 x 25 x 82.5	1.5	---	---	144.5
SX 150	150	27 x 27 x 82.5	1.5	---	---	180.6

<p>CONFIDENTIALITY THIS DRAWING & THE INFORMATION CONTAINED THEREIN IS CONFIDENTIAL & PROPRIETARY TO HEATEFLEX CORPORATION AND MAY NOT BE TRACED, PHOTOGRAPHED, REPRODUCED IN ANY MANNER, NOR USED FOR ANY PURPOSE WITHOUT THE EXPRESS WRITTEN AUTHORIZATION OF HEATEFLEX CORPORATION.</p>		<p>UNLESS OTHERWISE NOTED DIMENSIONS & TOLERANCES ARE IN INCHES (PARENTS) & PER INCH-TWOS & DECIMALS (BRACKETS). DRAWING SYMBOLS:</p> <p>SYMBOLS: In mm JO: 1/8" 3.18 JO: 1/16" 1.57 JO: 1/32" 0.787 JO: 1/64" 0.394 JO: 1/128" 0.197 JO: 1/256" 0.098</p>		<p>405 E. Santa Clara St. Arcadia, California 91006-7227 Tel: (626) 599-8566 Fax: (626) 599-9567</p>
<p>Drawn by: A. Dunn Date: 12/04/12</p>		<p>Checked by: [] Date: []</p>		
<p>Drawn by: [] Date: []</p>		<p>Checked by: [] Date: []</p>		<p>REV: 00</p>
<p>APPROVED BY: [] Date: []</p>		<p>DATE: []</p>		<p>REV: 00</p>
<p>DATE: []</p>		<p>DATE: []</p>		<p>REV: 00</p>

FACILITY DIAGRAM
SS316 HIGH PURITY HEATING SYSTEM

DATE: 12/04/12

REV: 00

DATE: []

REV: 00

DATE: []

REV: 00