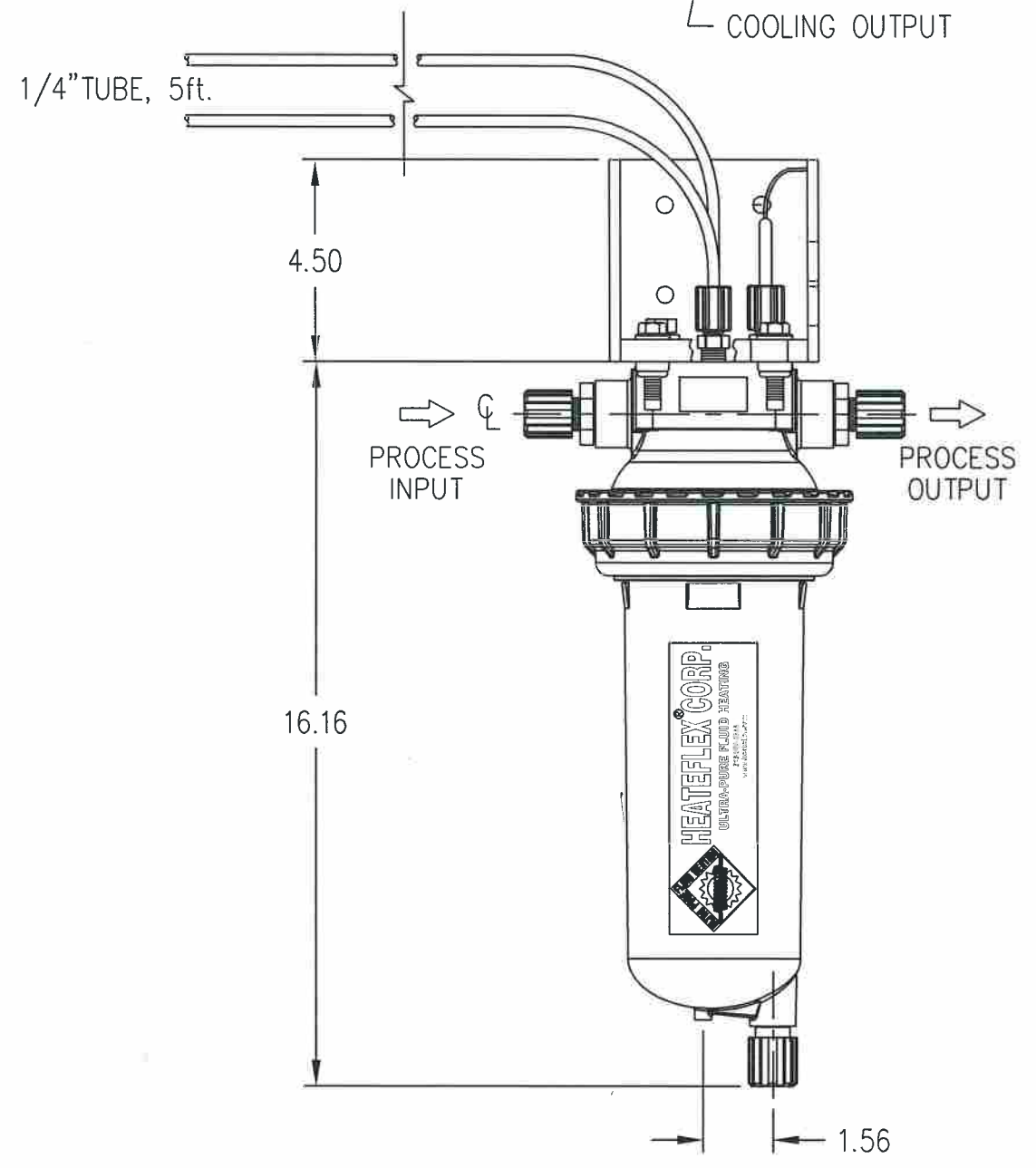
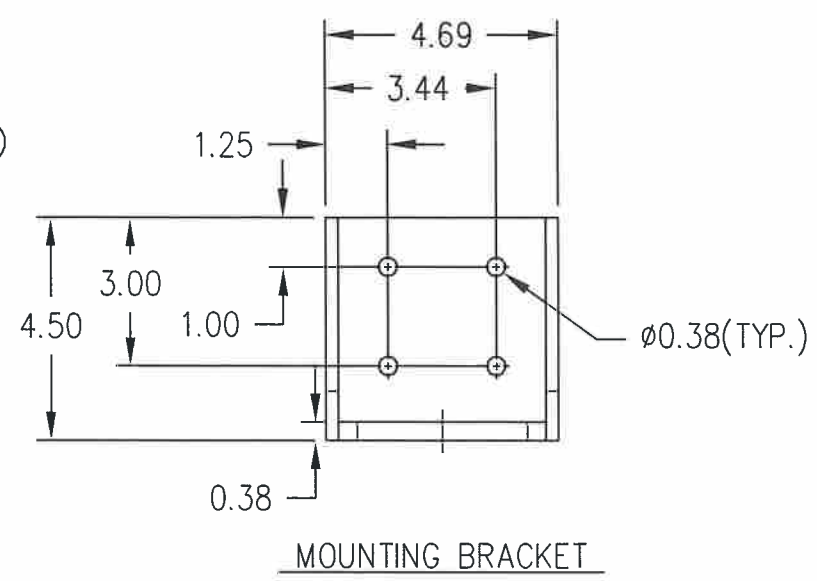
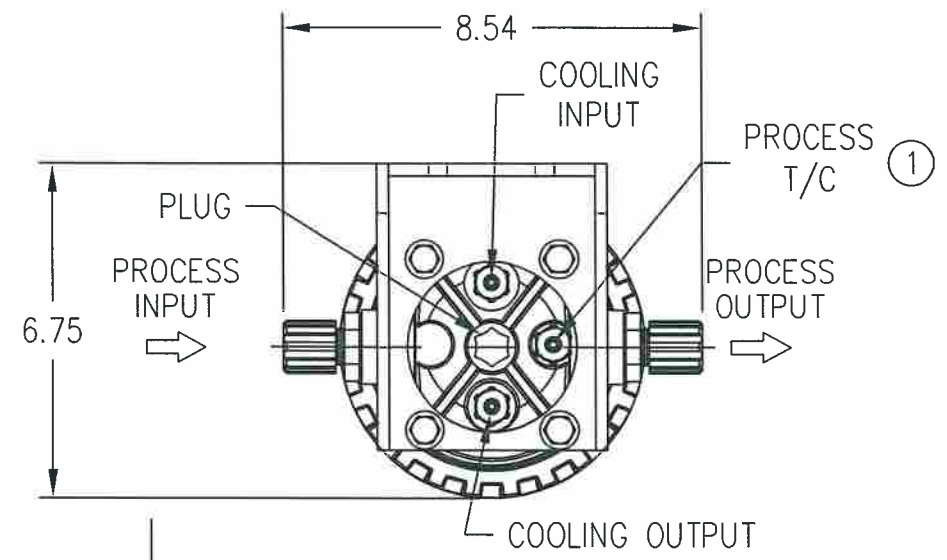


ITEM	QTY	P/N	DESCRIPTION
01	1	AT0100	THERMOCOUPLE ASSY., TYPE "J".



ENGINEERING SPECIFICATIONS	
<b>MATERIAL</b>	
EXCHANGER MODULE:	PFA
CONNECTORS:	PFA
O-RING:	PFA ENCAP., VITON
<b>PLUMBING</b>	
PROCESS INPUT/OUTPUT:	1/2" FLARE
DRAIN:	1/2" FLARE
PRESSURE RATING:	60PSI @ 95°C.
COOLING INPUT/OUTPUT:	1/4" FLARE
HEAT EXCHANGER SURFACE AREA:	650in <sup>2</sup>
COOLING TUBE CONN.:	1/4" TUBE, 5ft.

<b>CONFIDENTIALITY</b> THIS DRAWING & THE INFORMATION CONTAINED THEREIN IS CONFIDENTIAL & PROPRIETARY TO HEATEFLEX CORPORATION AND MAY NOT BE TRACED, PHOTOGRAPHED, REPRODUCED IN ANY MANNER, NOR USED FOR ANY PURPOSE WHATSOEVER WITHOUT THE EXPRESS WRITTEN AUTHORIZATION OF HEATEFLEX CORPORATION.		<b>UNLESS OTHERWISE NOTED</b> DIMENSIONS & TOLERANCING ARE IN INCHES (Millimeters) & PER ANSI-Y14.5 & HEATEFLEX CORP. DRAFTING STANDARDS. DECIMALS: in mm .XX ± 0.01 ± 0.25 .XXX ± 0.005 ± 0.127 .XXXX ± 0.0005 ± 0.0127 X/XX ± 1/32 ± 0.5' ± 0.5'		 <b>HEATEFLEX CORPORATION</b> 405 E. SANTA CLARA, ARCADIA, CA 91006 TEL: (626) 599-8566 FAX: (626) 599-9567	
DRAWN BY: M. Martinez		DATE: 05/22/08		ENG/DSGN: [Signature]	
DRAFTING QC: [Signature]		DATE: 06-12-08		DATE: 06/12/08	
APPROVED BY: [Signature]		DATE: 06/12/08		DWC. NO.: VED1-1-00-ZZ-A01-05	
SHEET: 1 OF 1		SCALE: NONE		FILE: VED1100ZZA0105	
REV. 00					