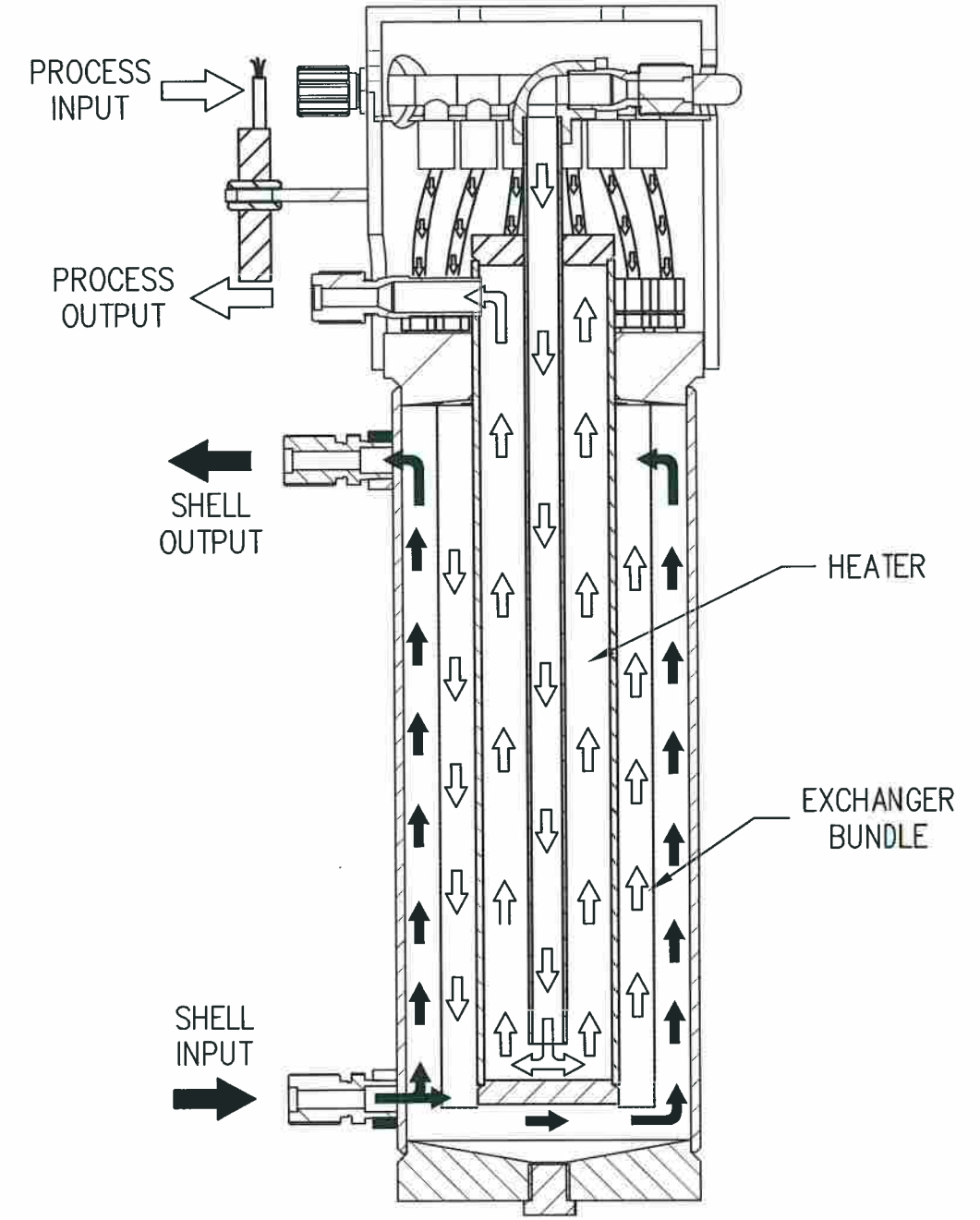
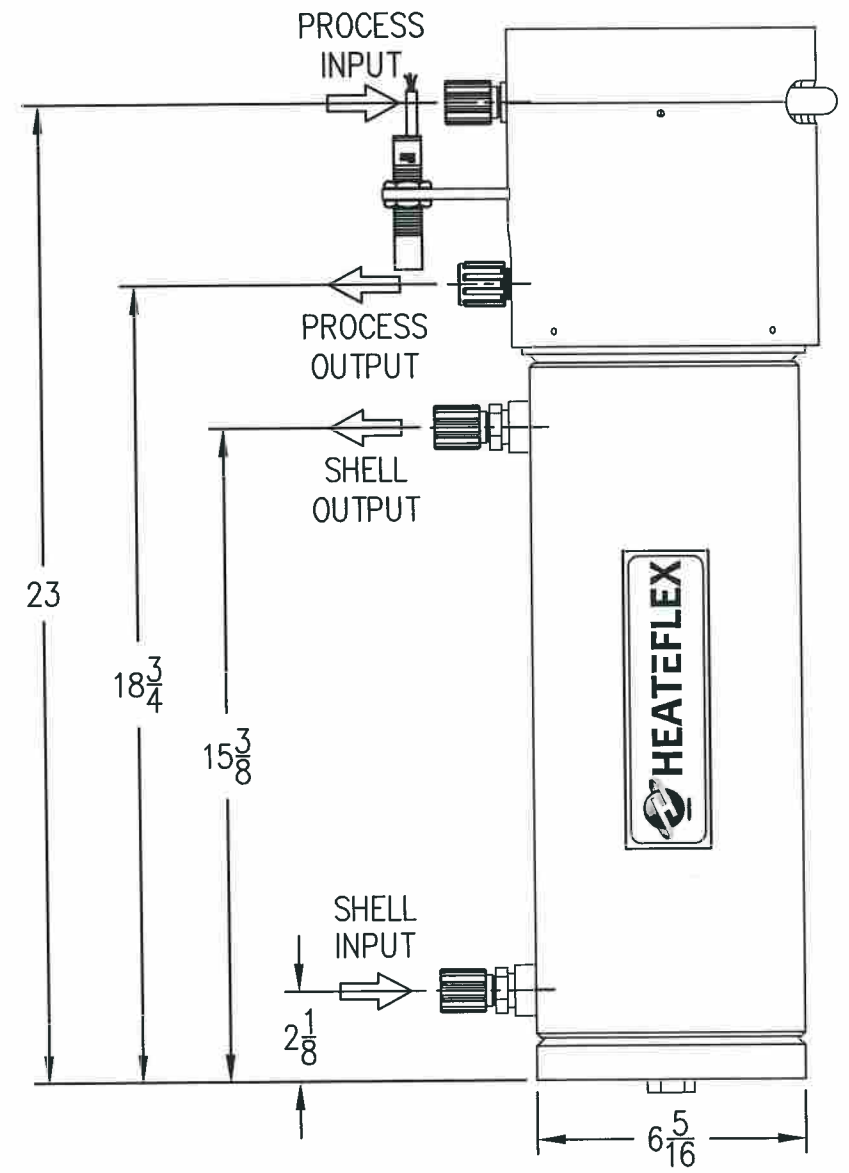
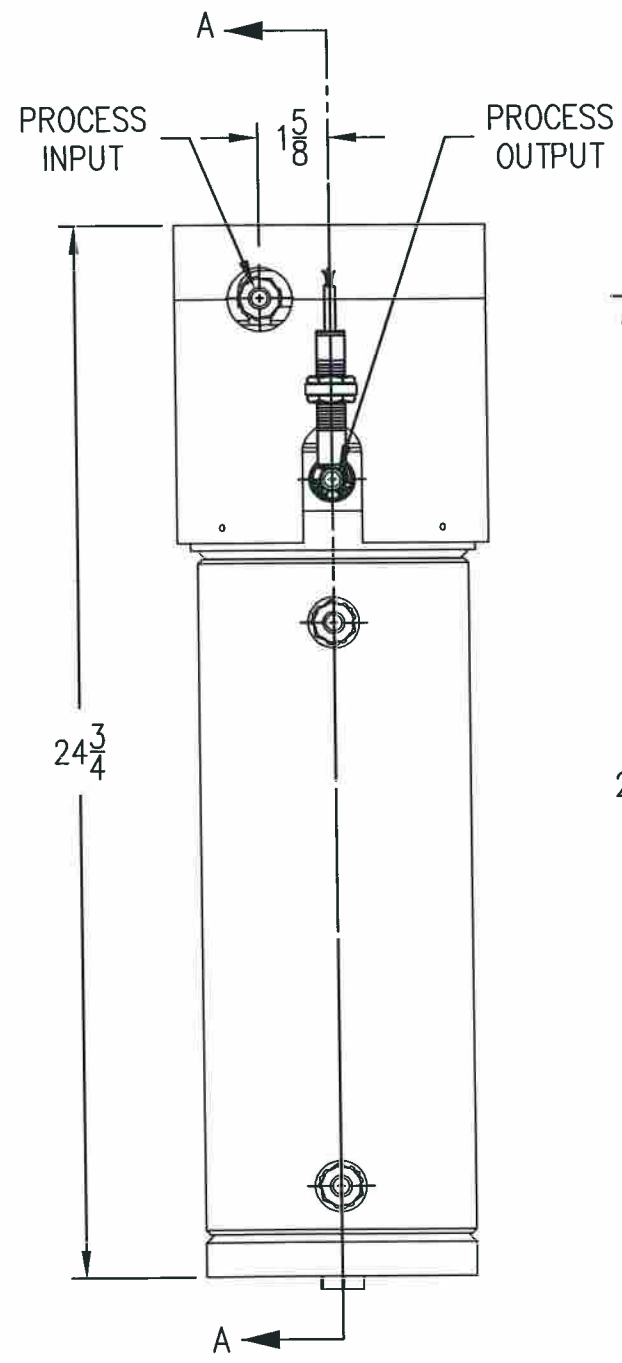


BREAK TO SHOW SENSOR WIRES



SECTION A-A

<b>CONFIDENTIALITY</b> THIS DRAWING & THE INFORMATION CONTAINED THEREIN IS CONFIDENTIAL & PROPRIETARY TO HEATEFLEX CORPORATION AND MAY NOT BE TRACED, PHOTOGRAPHED, REPRODUCED IN ANY MANNER, NOR USED FOR ANY PURPOSE WHATSOEVER WITHOUT THE EXPRESS WRITTEN AUTHORIZATION OF HEATEFLEX CORPORATION.		<b>UNLESS OTHERWISE NOTED</b> DIMENSIONS & TOLERANCING ARE IN INCHES (Millimeters) & PER ANSI-Y14.5 & HEATEFLEX CORP. DRAFTING STANDARDS.		<b>HEATEFLEX CORPORATION</b> 405 E. SANTA CLARA, ARCADIA, CA 91006 TEL: (626) 599-8566 FAX: (626) 599-9567	
DECIMALS: in mm .XX ± 0.01 ± 0.25 .XXX ± 0.005 ± 0.127 .XXXX ± 0.0005 ± 0.0127 X/XX ± 1/32 < ± 0.5° ± 0.5°		<b>TITLE:</b> HEATER/EXCHANGER ASSY., FLOW PATH (REPRESENTATIVE) 5.0KW, 208VAC, 1-PH			
DRAWN BY: A. Dunn	DATE: 02/01/13	ENG/DSGN: C.L.B.	DATE: 03-11-13	DWG. NO.: VHB6-1-05-C-A24-P514	REV. 00
DRAFTING QC: L.M.	DATE: 03-11-13	APPROVED BY: B.A.	DATE: 03-11-13	SHEET: 1 OF 1	SCALE: NONE
				FILE: FLOW PATH	