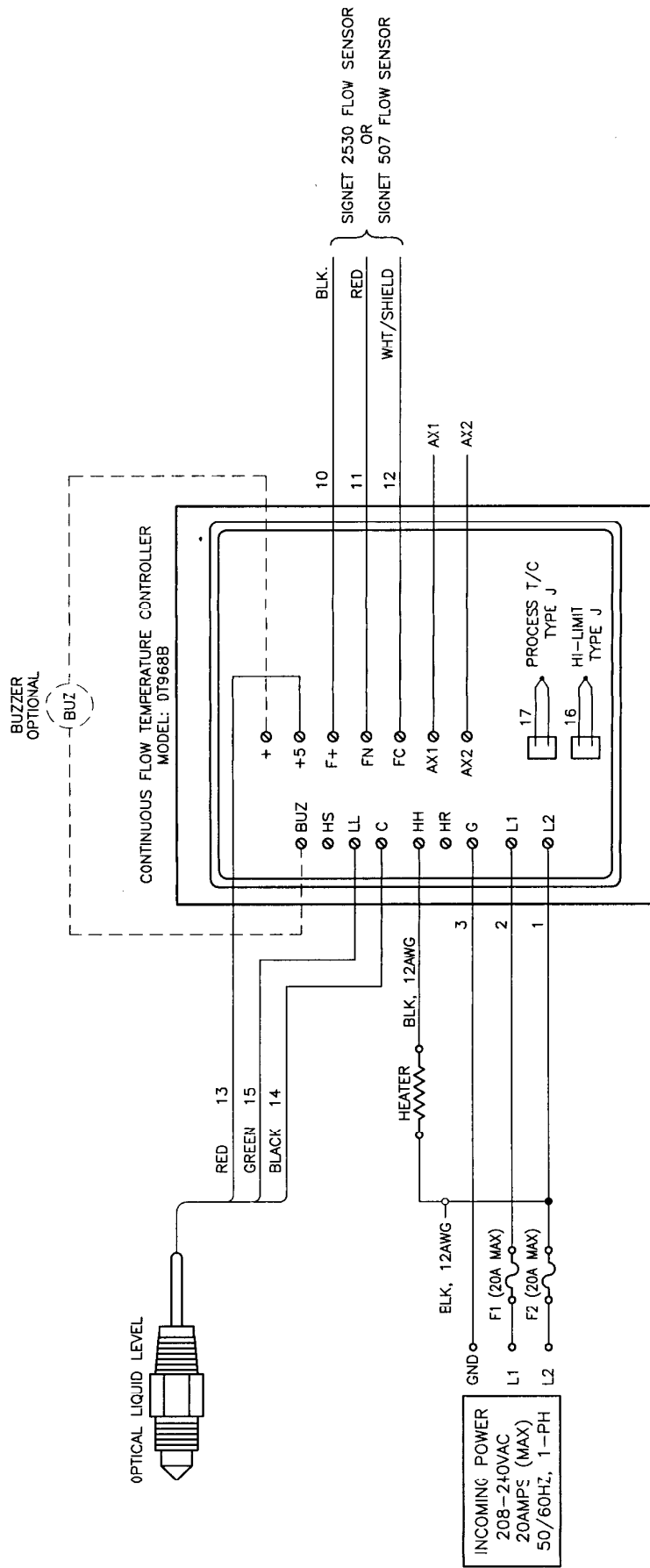


NOTE:

1. "+" TERMINAL IS 12VDC-100mA UNREGULATED.



CONFIDENTIALITY THIS PRINTING AND THE PROCEEDINGS OF THIS DRAWING AND SHALL NOT BE REPRODUCED OR REPRODUCED IN ANY MANNER, NOR USED FOR ANY PURPOSE WHATSOEVER EXCEPT BY WRITTEN PERMISSION OF ICD/HEATEFLEX.		DRAWN BY: E. Escobar DATE: 3/27/97 TOLERANCES UNLESS OTHERWISE SPECIFIED: .XX ±.01 .XXX ±.005 .XXX ±.0005 X/XX ±.032 X ±.02	ICD/HEATEFLEX 3737 PARK PL. MONTROSE, CA 91020 PH. 909.487-2422 FAX 909.487-2427
TITLE: SCHEMATIC DIAGRAM PNR TO FLOW ILINE CONTROL		DWG. NO.: DT968B-241 REV.: 01	SCALE: 5/8" = 1" SIZE: 11 OF 1 DATE: 3/23/97