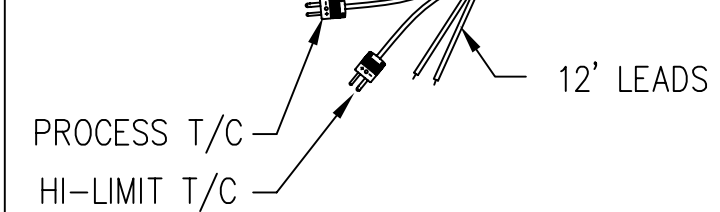
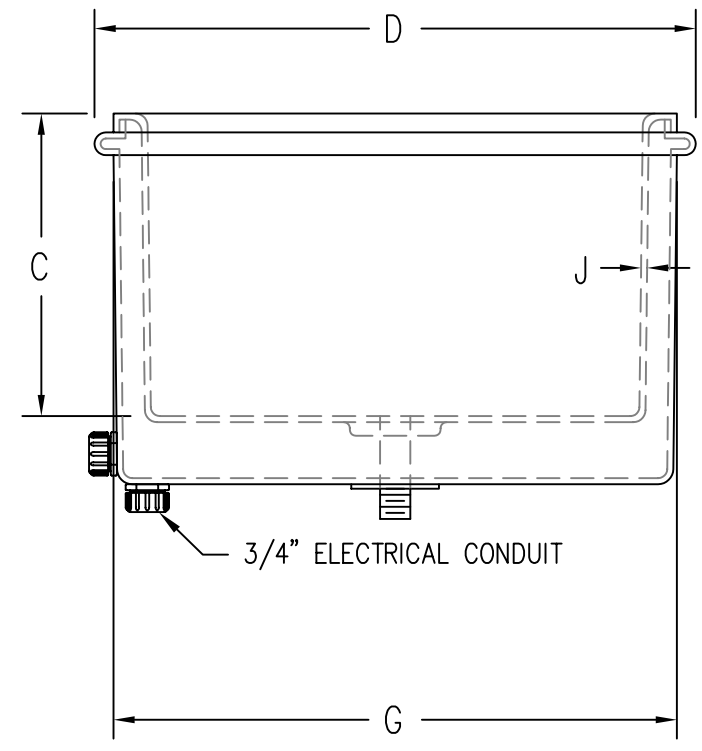
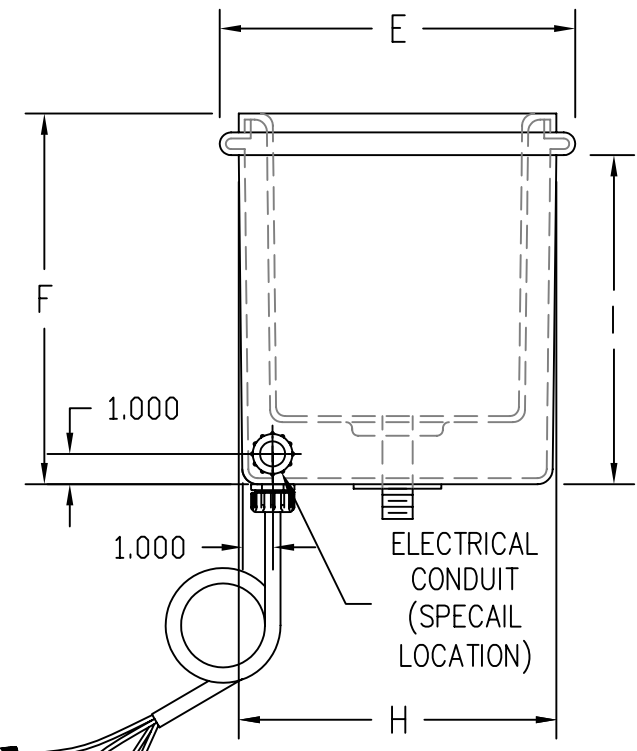
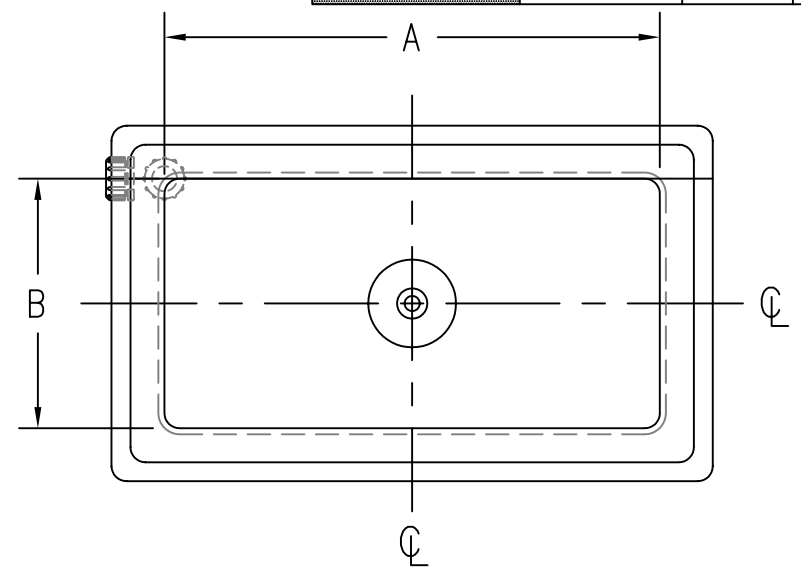
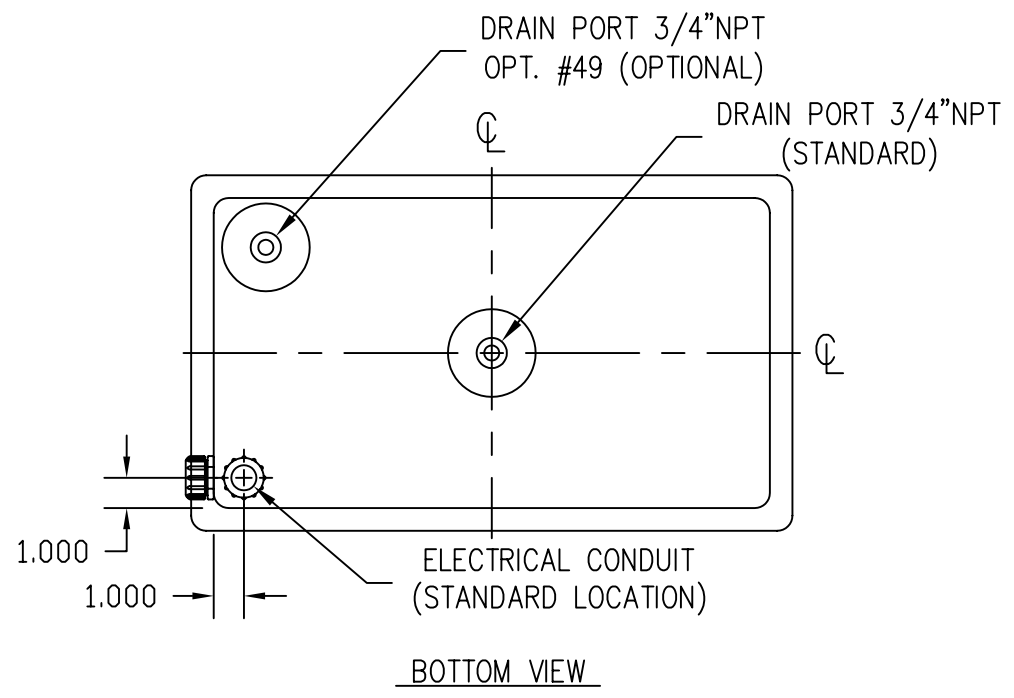


MODEL NO.	VAC	KW	AMPS	A	B	C	D	E	F	G	H	I	J
MQ-14	208-220	2.2	10.6-10	7.75	7.75	7.25	11.385	11.385	9	10.00	10.00	7.625	0.20
MQ-16	208-220	2.2	10.6-10	7.75	7.75	10.00	11.385	11.385	12	10.00	10.00	10.625	0.20
MQ-18	230	4.2	18.26	12.00	11.00	11.75	15.625	14.625	13.75	14.25	13.25	12.375	0.20
MQ-24	208	3.1	14.9	11.50	7.50	8.00	15.125	11.125	10.00	13.75	9.75	8.625	0.20
MQ-25	208	3.2	15.38	13.50	7.50	9.00	17.125	11.125	11.00	15.75	9.75	9.625	0.20
MQ-26	208-240	3.6-5.5	19.2-22.9	16.00	8.00	10.00	19.625	11.625	12.00	18.25	10.25	10.625	0.20
MQ-26-D35	208-240	3.6-5.5	19.2-22.9	16.00	10.50	10.00	19.50	11.50	12.125	18.25	10.125	10.50	0.20



- NOTE:**
- TANKS EQUIPPED WITH OPTION D35 HAVE 20mm PILLAR DRAIN REPLACING 3/4" MNPT DRAIN.
 - THE 3/4" MNPT DRAIN PORT WILL BE PROVIDED UNLESS SPECIFIED.
 - THE ELECTRICAL CONDUIT SPECIAL LOCATION, OPTION D32
 - TANKS EQUIPPED WITH OPTION D36 HAVE A 3/4" FLTK DRAIN PORT.
 - HEATER SENSOR LOWERED 4" FROM INSIDE BOTTOM TANK TO ACCOMODATE LOWER HEAT (OPTION D50).
 - TANKS EQUIPPED WITH OPTION D49, DRAIN PORT SHOULD BE RELOCATED TO CORNER OF TANK.

<p>CONFIDENTIALITY</p> <p>THIS DRAWING & THE INFORMATION CONTAINED THEREIN IS CONFIDENTIAL & PROPRIETARY TO INTEGRATED CIRCUIT DEVELOPMENT CORPORATION & MAY NOT BE TRACED, PHOTOGRAPHED, REPRODUCED IN ANY MANNER, NOR USED FOR ANY PURPOSE WHATSOEVER WITHOUT THE EXPRESS WRITTEN AUTHORIZATION OF INTEGRATED CIRCUIT DEVELOPMENT CORPORATION.</p>		<p>UNLESS OTHERWISE NOTED</p> <p>DIMENSIONS & TOLERANCING ARE IN INCHES (Millimeters) & PER ANSI-Y14.5 & ICD/HEATEFLEX DRAFTING STANDARDS.</p> <table border="0"> <tr> <td>DECIMALS:</td> <td>in</td> <td>mm</td> </tr> <tr> <td>.XX</td> <td>± 0.01</td> <td>± 0.25</td> </tr> <tr> <td>.XXX</td> <td>± 0.005</td> <td>± 0.127</td> </tr> <tr> <td>.XXXX</td> <td>± 0.0005</td> <td>± 0.0127</td> </tr> <tr> <td>X/XX</td> <td>± 1/32</td> <td></td> </tr> <tr> <td>∠</td> <td>± 0.5°</td> <td>± 0.5°</td> </tr> </table>		DECIMALS:	in	mm	.XX	± 0.01	± 0.25	.XXX	± 0.005	± 0.127	.XXXX	± 0.0005	± 0.0127	X/XX	± 1/32		∠	± 0.5°	± 0.5°	<p>HEATEFLEX CORPORATION</p> <p>405 E. SANTA CLARA, ARCADIA, CA 91006 TEL: (626) 599-8566 FAX: (626) 599-9567</p>	
DECIMALS:	in	mm																					
.XX	± 0.01	± 0.25																					
.XXX	± 0.005	± 0.127																					
.XXXX	± 0.0005	± 0.0127																					
X/XX	± 1/32																						
∠	± 0.5°	± 0.5°																					
<p>DRAWN BY: M. Martinez</p>		<p>DATE: 9/13/00</p>		<p>ENG/DSGN:</p>		<p>DATE:</p>		<p>DWG. NO.: MQ-XX</p>		<p>REV. 03</p>													
<p>DRAFTING QC:</p>		<p>DATE:</p>		<p>APPROVED BY</p>		<p>DATE:</p>		<p>SHEET: 1 OF 1</p>		<p>SCALE: NONE</p>		<p>FILE: CTMQ001-R03</p>											

REPRESENTATIVE