

PART #	A	B	C
721818	5.50	4.00	2.00
721819	7.80	6.30	4.30

REQUIRED PROTECTION

(D.C.)
A DIODE (OR EQUIVALENT) CONNECTED CATHODE-TO-POSITIVE, AS SHOWN IN FIGURE 1, IS RECOMMENDED. THE DIODE DOES NOT CONDUCT WHEN THE LOAD IS ENERGIZED, BUT CONDUCTS AND SHORTS OUT THE GENERATED VOLTAGE WHEN THE SWITCH OPENS. THE GENERATED VOLTAGE ALWAYS ACTS IN SERIES WITH THE APPLIED VOLTAGE.

(A.C.)
A RESISTOR AND CAPACITOR, CONNECTED IN PARALLEL WITH THE SWITCH, AS SHOWN IN FIGURE 2, IS RECOMMENDED. THE CAPACITOR IS A HIGH IMPEDANCE TO 60 HERTZ, BUT IS ESSENTIALLY A SHORT CIRCUIT TO HIGH FREQUENCIES OF GENERATED VOLTAGES.

FIGURE 1
D.C. CONTACT PROTECTION
(DRAIN THE LOAD)

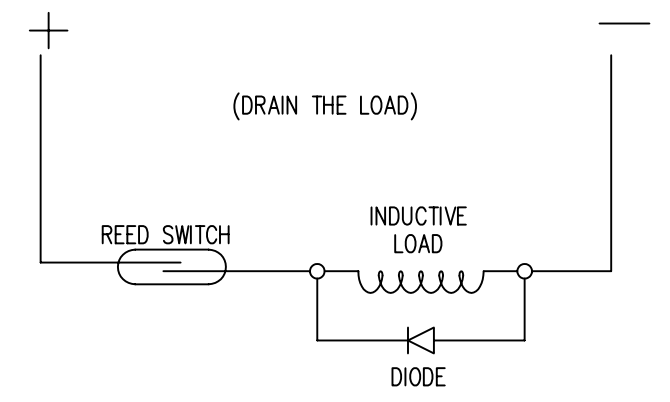
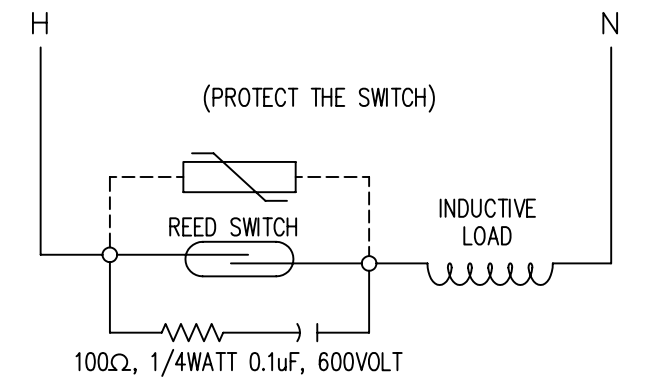


FIGURE 2
A.C. CONTACT PROTECTION
(PROTECT THE SWITCH)



<p>CONFIDENTIALITY</p> <p>THIS DRAWING & THE INFORMATION CONTAINED THEREIN IS CONFIDENTIAL & PROPRIETARY TO INTEGRATED CIRCUIT DEVELOPMENT CORPORATION & MAY NOT BE TRACED, PHOTOGRAPHED, REPRODUCED IN ANY MANNER, NOR USED FOR ANY PURPOSE WHATSOEVER WITHOUT THE EXPRESS WRITTEN AUTHORIZATION OF INTEGRATED CIRCUIT DEVELOPMENT CORPORATION.</p>		<p>UNLESS OTHERWISE NOTED</p> <p>DIMENSIONS & TOLERANCING ARE IN INCHES (Millimeters) & PER ANSI-Y14.5 & ICD/HEATEFLEX DRAFTING STANDARDS.</p> <p>DECIMALS: in mm</p> <p>.XX ± 0.01 ± 0.25</p> <p>.XXX ± 0.005 ± 0.127</p> <p>.XXXX ± 0.0005 ± 0.0127</p> <p>X/XX ± 1/32 ± 0.5"</p> <p>± 0.5" ± 0.5"</p>		<p>HEATEFLEX CORPORATION</p> <p>405 E. SANTA CLARA, ARCADIA, CA 91006</p> <p>TEL: (626) 599-8566 FAX: (626) 599-9567</p>	
<p>DRAWN BY: M. Martinez</p> <p>DATE: 11/07/02</p>		<p>ENG/DSGN:</p> <p>DATE:</p>		<p>DWG. NO.: 721818/721819</p> <p>REV. 00</p>	
<p>DRAFTING QC:</p> <p>DATE:</p>		<p>APPROVED BY</p> <p>DATE:</p>		<p>SHEET: 1 OF 1</p> <p>SCALE: NONE</p> <p>FILE: SMECHLL</p>	