

Product Profile Sheet

Vesper™ Ultra-Pure In-Line Heat Exchanger

Benefits

Small Footprint with Large Surface Area to Maximize Heat Transfer

Ultra-Pure Wetted Surfaces for Chemical Compatibility and Cleanliness

Ease of Installation

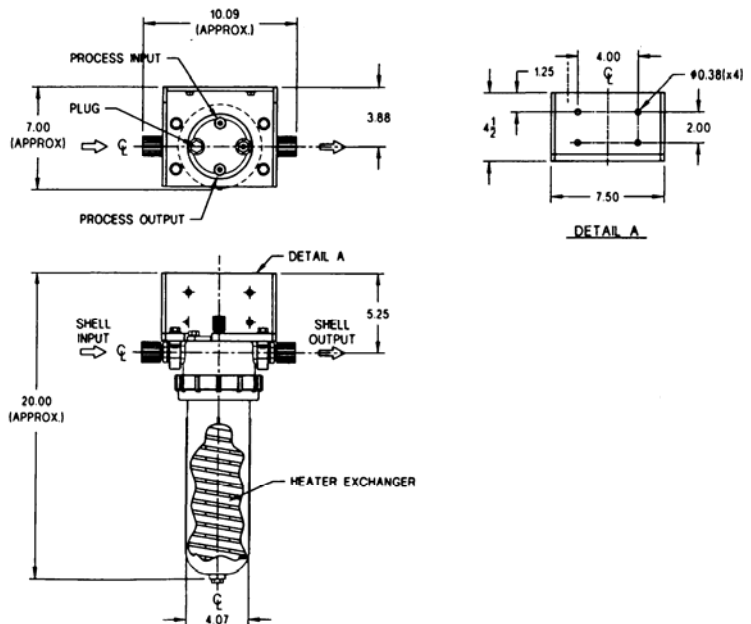
The Vesper™ In-Line Heat Exchanger is a superior exchanging system whose design is a culmination of over thirty years of industry knowledge and experience held by Heateflex Corporation. Its special design has a large surface area to provide a more efficient transfer rate that optimizes the response time.

The construction materials used ensure the purity of the process fluid is maintained. The Vesper™ is easy to install, requiring 10" of line space without rerouting the plumbing. This in-line exchanger is well suited for getting into those tight areas where space is a concern.



Vesper™ Specifications

Materials:	All PFA
Fittings:	Process Fluid Path: 3/4" Flaretek Heat Exchange Fluid Path: 1/4" Flaretek Or Process Fluid Path: 1/4" Flaretek Heat Exchange Fluid Path: 3/4" Flaretek
Dimensions:	10"L x 7"W x 20"H
Exchange Media Surface Area:	650 in ²
Max Liquid Inlet Pressure:	60 psi
Max Operation Temperature:	100°C at 30 psi



Heateflex Corporation

World Leader in Ultra-Pure Heating